

6.1.7. Angle connections

Angle connections provide a variety of possibilities for the combination of the linear axes AXE110Z and AXE160Z to two-axis systems in x-y or y-z arrangements (Figure 6.12 up to 6.15). Combinations of linear axes of the same size and with a difference of one frame size are possible. The connecting elements are made from aluminum sand casting (EN AC-AISi7Mg0,3 ST6). The angle connections contain all essential connecting elements including screws.

The type codes and dimensions including ID numbers of the angle connections are specified in Figure 6.12 to Figure 6.15 and Table 6.7 to Table 10.

X-Y - axis system, profile assembly

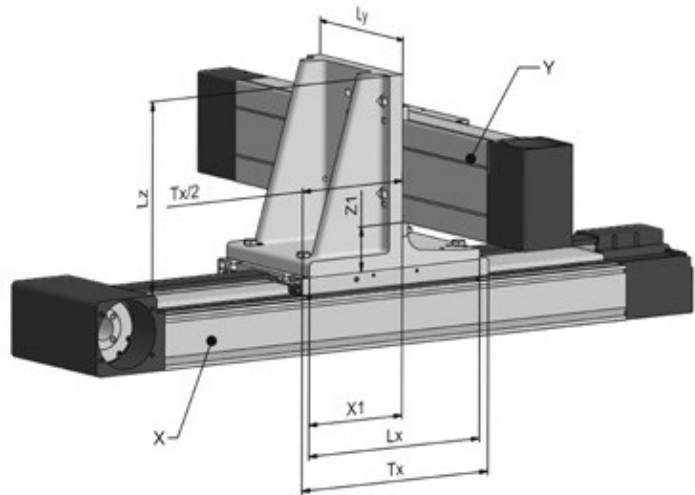


Figure 6.12

Angle connections x-y - Axis system, profile assembly

Table 6.7 Angle connections x-y - Axis system, profile assembly

X - Axis	Y - Axis	Type code	ID number	Lx	X1	Ly	Z1	Lz
				[mm]	[mm]	[mm]	[mm]	[mm]
AXE110	AXE110	AX-AC-ACU-X110-Y110	459876	160	90	156	49.0	209
AXE160	AXE110	AX-AC-ACU-X160-Y110P	286227	160	90	156	49.0	209
AXE160	AXE160	AX-AC-ACU-X160-Y160	306559	220	120	236	63.0	287

X-Y - axis system, tabletop assembly

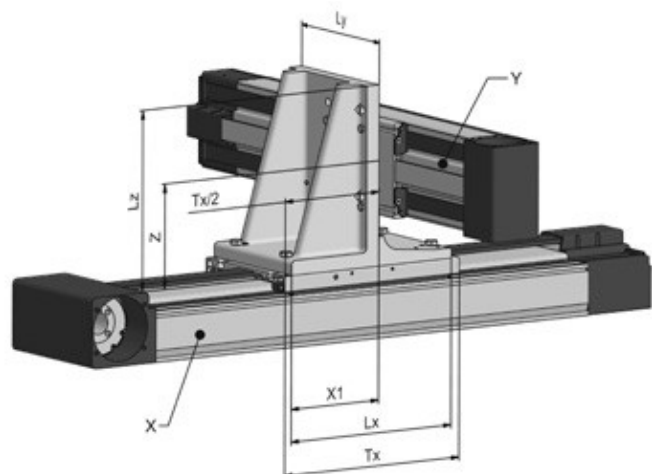


Figure 6.13

Angle connections x-y - Axis system, tabletop assembly

Table 6.8 Angle connections x-y - Axis system, tabletop assembly

X - Axis	Y - Axis	Type code	ID number	Lx	X1	Ly	Z	Lz
				[mm]	[mm]	[mm]	[mm]	[mm]
AXE110	AXE110	AX-AC-ACU-110-110	382293	160	90	156	114.0	209
AXE160	AXE110	AX-AC-ACU-X160-Y110T	382295	160	90	156	114.0	209
AXE160	AXE160	AX-AC-ACU-160-160-2	306666	220	120	236	144.0	287

Y-Z - axis system, profile assembly

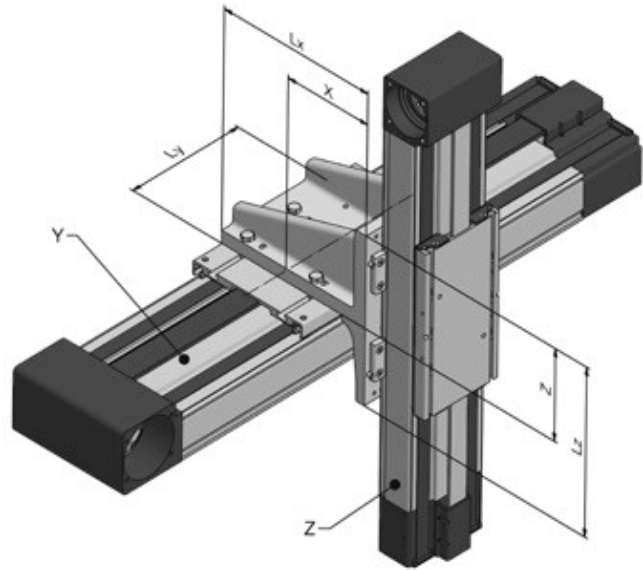


Figure 6.14

Angle connections y-z-axis system, profile assembly

Table 6.9 Angle connections y-z-axis system, profile assembly

X - Axis	Y - Axis	Type code	ID number	Lx	X	Ly	Lz	Z
				[mm]	[mm]	[mm]	[mm]	[mm]
AXE110	AXE110	AX-AC-ACU-Y110-Z110	363425	209	114.0	156	160	90
AXE160	AXE110	AX-AC-ACU-Y160-Z110P	269049	209	130.0	156	160	90
AXE160	AXE160	AX-AC-ACU-Y160-Z160	373108	287	144.0	236	220	120

Y-Z - axis system, tabletop assembly

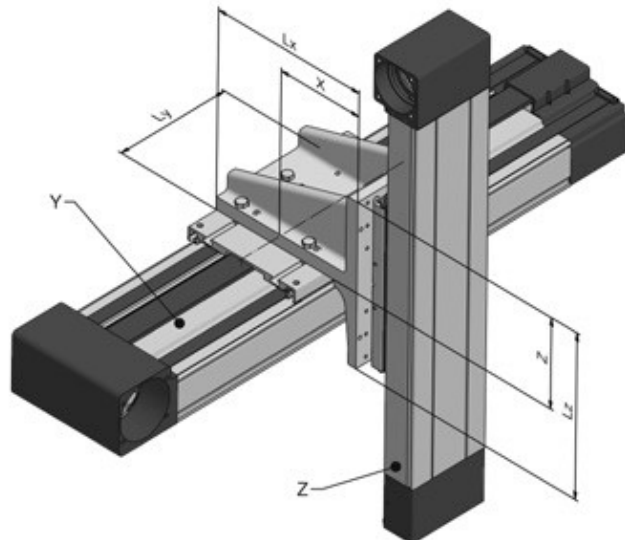


Figure 6.15

Angle connections y-z-Axis system, tabletop assembly

Table 6.10 Angle connections y-z-Axis system, tabletop assembly

X - Axis	Y - Axis	Type code	ID number	Lx	X	Ly	Lz	Z
				[mm]	[mm]	[mm]	[mm]	[mm]
AXE110	AXE110	AX-AC-ACU-110-110	382293	209	114.0	156	160	90
AXE160	AXE110	AX-AC-ACU-Y160-Z110T	267710	209	130.0	156	160	90
AXE160	AXE160	AX-AC-ACU-160-160-2	306666	287	144.0	236	220	120