

## 6.1.8 Angle connection

Angle connections provides a variety of possibilities for the combination of Linear Axis of the AXDL series to 2 – axis – systems in X – Y or Y – Z arrangement (Figures 6.19 up to 6.22). Combinations of Linear Axis with the same size and with a different of one size are possible. The connecting elements are produced from aluminum sand cast (EN AC-AISI7Mg0,3 ST6). The angle connections contain all the essential connecting elements including screws.

The type codes and dimensions including ID number of the angle connections are shown in Figures 6.19 up to 6.22 and Tables 6.11 up to Table 22.

### X – Y – Axis – System, profile assembly

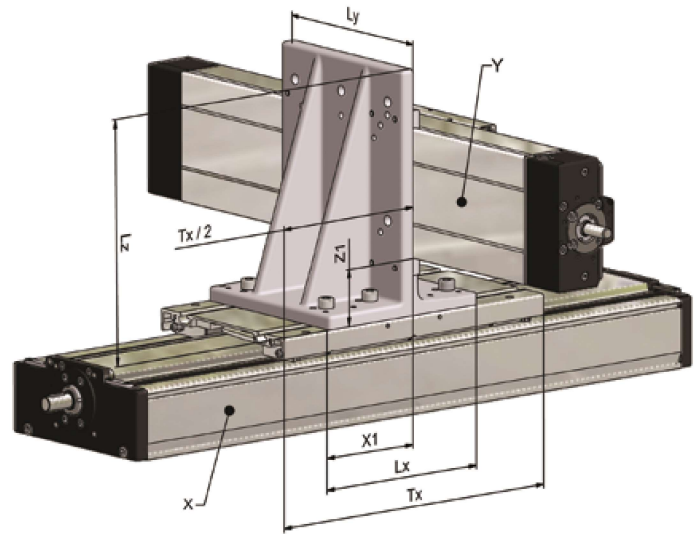


Figure 6.19 —  
Angle connection X – Y – Axis – System, profile assembly

Table 6.11 — Angle connection X – Y – Axis – System, profile assembly

X - Axis	Y - Axis	Designation	ID number	Lx [mm]	X1 [mm]	Ly [mm]	Z1 [mm]	Lz [mm]
AXDL110	AXDL110	AX-AC-ACU-X110-Y110	459876	160	90	156	49,0	209
AXDL160	AXDL110	AX-AC-ACU-X160-Y110P	286227	160	90	156	49,0	209
AXDL160	AXDL160	AX-AC-ACU-X160-Y160	306559	220	120	236	63,0	287
AXDL240	AXDL160	AX-AC-ACU-X240-Y160P	256449	220	120	236	63,0	287
AXDL240	AXDL240	AX-AC-ACU-X240-Y240	262988	220	120	236	49,0	287

### X – Y – Axis – System, tabletop assembly

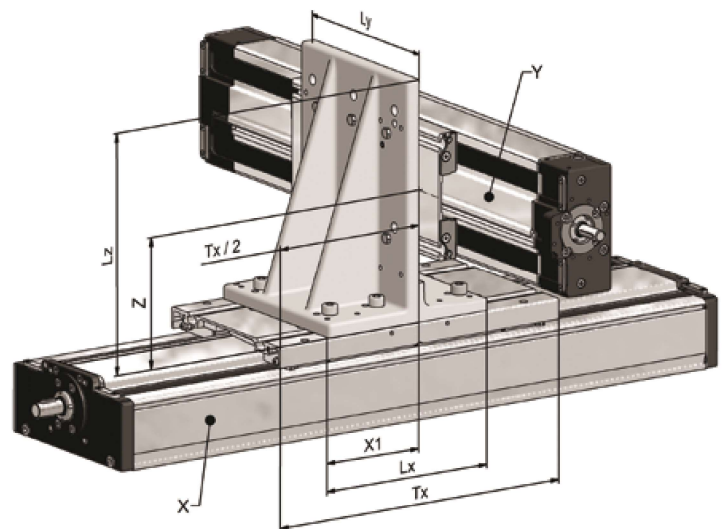


Figure 6.20 —  
Angle connection X – Y – Axis – System, tabletop assembly

Table 6.12 — Angle connection X – Y – Axis – System, tabletop assembly

X - Axis	Y - Axis	Designation	ID number	Lx [mm]	X1 [mm]	Ly [mm]	Z [mm]	Lz [mm]
AXDL110	AXDL110	AX-AC-ACU-110-110	382293	160	90	156	114,0	209
AXDL160	AXDL110	AX-AC-ACU-X160-Y110T	382295	160	90	156	114,0	209
AXDL160	AXDL160	AX-AC-ACU-160-160-2	306666	220	120	236	144,0	287
AXDL240	AXDL160	AX-AC-ACU-X240-Y160T	382295	220	120	236	144,0	287
AXDL240	AXDL240	AX-AC-ACU-240-240	270252	220	120	236	176,5	287

### Y – Z – Axis – System, profile assembly

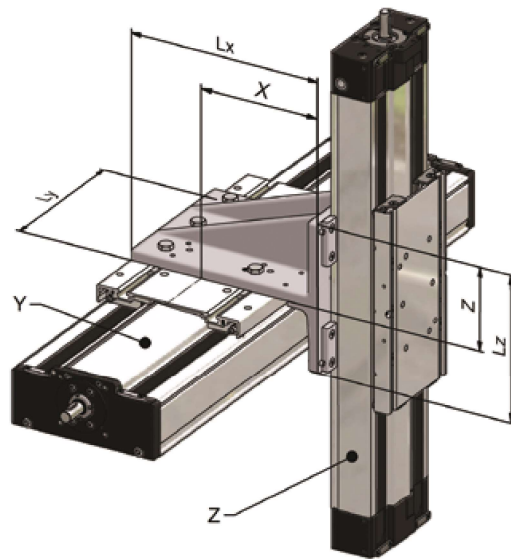


Figure 6.21 —  
Angle connection Y – Z – Axis – System, profile assembly

Table 6.13 — Angle connection Y – Z – Axis – System, profile assembly

Y - Axis	Z - Axis	Designation	ID number	L <sub>x</sub> [mm]	X [mm]	L <sub>y</sub> [mm]	L <sub>z</sub> [mm]	Z [mm]
AXDL110	AXDL110	AX-AC-ACU-Y110-Z110	363425	209	114	156	160,0	90
AXDL160	AXDL110	AX-AC-ACU-Y160-Z110P	269049	209	130	156	160,0	90
AXDL160	AXDL160	AX-AC-ACU-Y160-Z160	373108	287	144	236	220,0	120
AXDL240	AXDL160	AX-AC-ACU-Y240-Z160P	256449	287	177	236	220,0	120
AXDL240	AXDL240	AX-AC-ACU-Y240-Z240	382303	287	177	236	220,0	120

### Y – Z – Axis – System, tabletop assembly

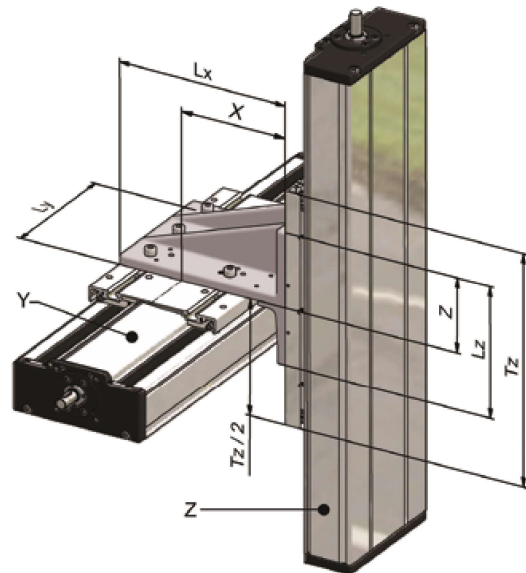


Figure 6.22 —  
Angle connection Y – Z – Axis – System, tabletop assembly

Table 6.14 — Angle connection Y – Z – Axis – System, tabletop assembly

Y - Axis	Z - Axis	Designation	ID number	L <sub>x</sub> [mm]	X [mm]	L <sub>y</sub> [mm]	L <sub>z</sub> [mm]	Z [mm]
AXDL110	AXDL110	AX-AC-ACU-110-110	382293	209	114	156	160,0	90
AXDL160	AXDL110	AX-AC-ACU-Y160-Z110T	267710	209	130	156	160,0	90
AXDL160	AXDL160	AX-AC-ACU-160-160-2	306666	287	144	236	220,0	120
AXDL240	AXDL160	AX-AC-ACU-Y240-Z160T	382306	287	177	236	220,0	120
AXDL240	AXDL240	AX-AC-ACU-240-240	270252	287	177	236	220,0	120